

Moon

Assembly
Guide

pedestal®

Moon

Congratulations on your new Pedestal product and welcome to a more colorful way of living. You are now part of a design universe where thoughtful details and bold character come together to elevate your interior.

Rooted in Scandinavian design tradition, our products are crafted with a deep commitment to quality, simplicity, and functionality. This is where form follows function – playfully.

So let's get started.

/Pedestal

Safety & Compliance

Read this assembly guide carefully before installation and use. Keep this guide for future reference.

This product must be assembled and used only as described in this manual and for its intended purpose. Incorrect assembly or misuse may result in personal injury or damage to the product and/or screen. If in doubt, please contact customer service before installation.

Ensure all bolts and connections are fully tightened before use. Recheck all connections after installation and periodically during use.

Only mount screens compatible with the stand's specifications, including VESA pattern and maximum weight capacity. The screen must be mounted using all required fixing points.

Small parts may present a choking hazard. Keep small parts and packaging materials away from children.

Do not use the product if any parts are damaged or missing.

Pedestal ApS
DK34472793
Ib Spang Olsens Gade 12
8200 Aarhus N
Denmark

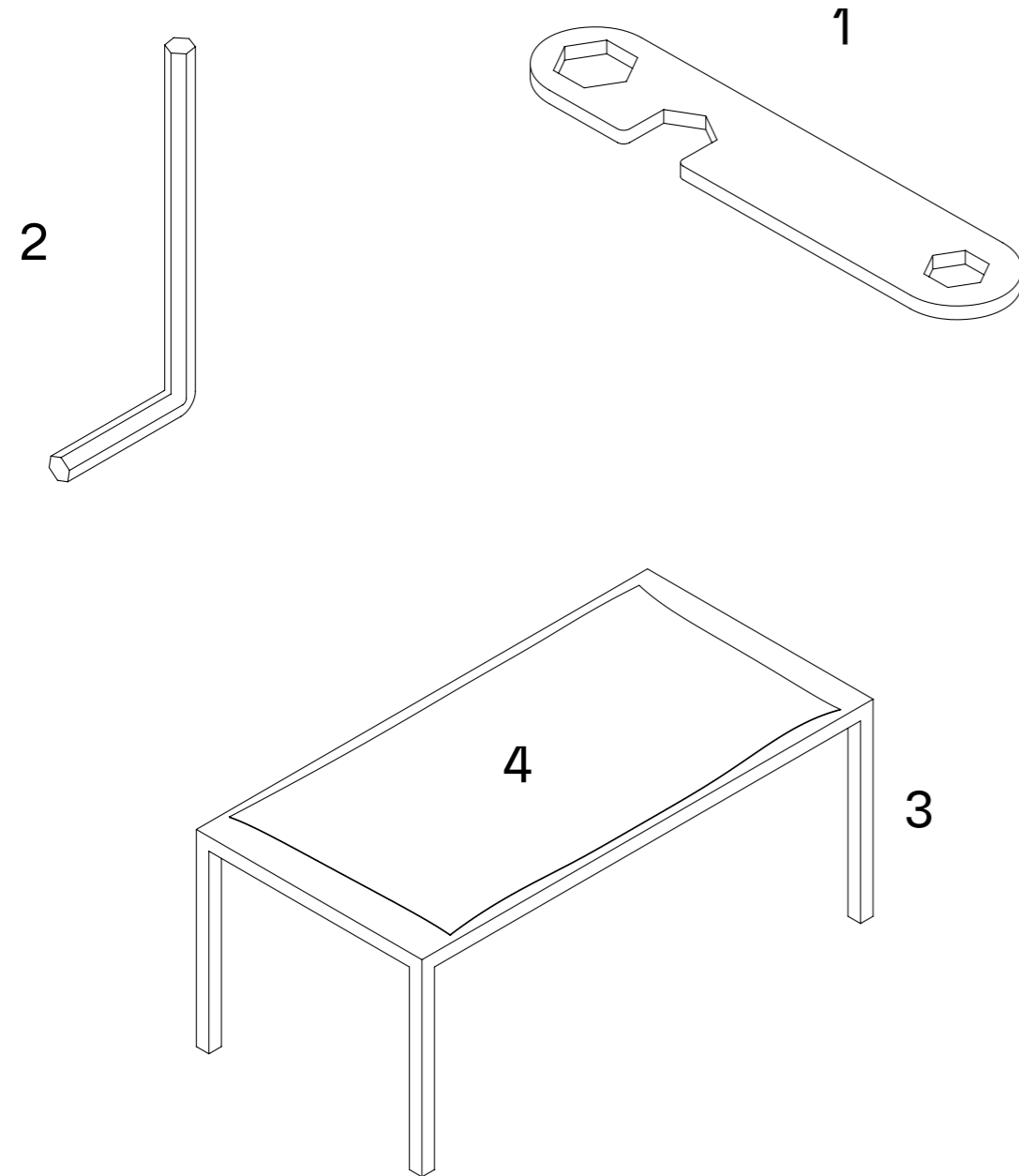
Made in China

hello@pedestal.com
+45 7060 5503

Scan the QR code to access all our guides or get in touch at pedestal.com



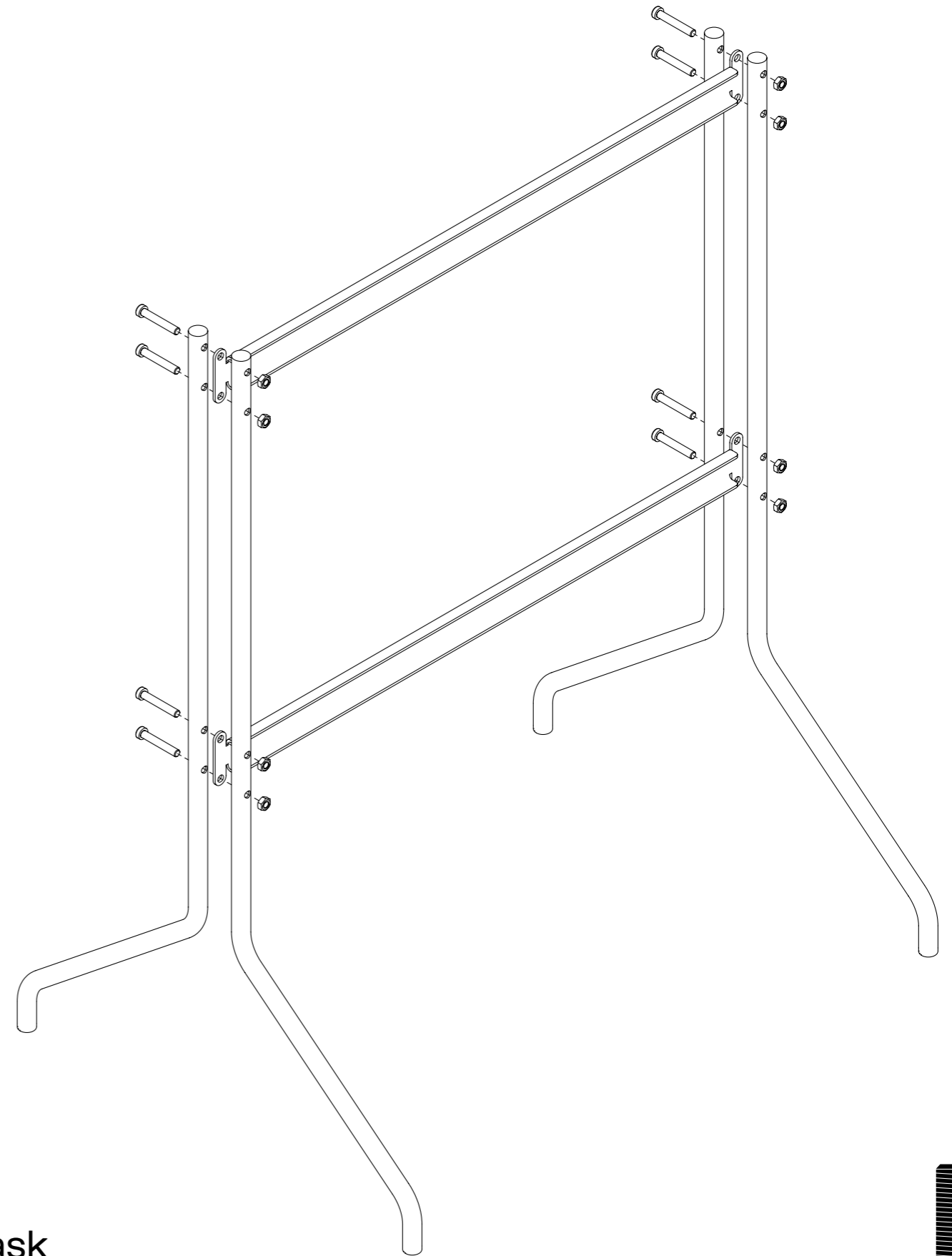
Tools



You will need the tools listed below:

- 1: Wrench (Provided in the hardware bag)
- 2: Hex key (Provided in the hardware bag)
- 3: Table
- 4: Soft cloth or blanket
- 5: Assisting friend

1.0 Mount brackets

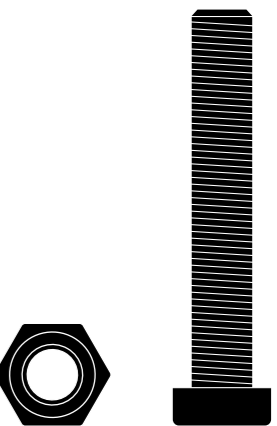


Task

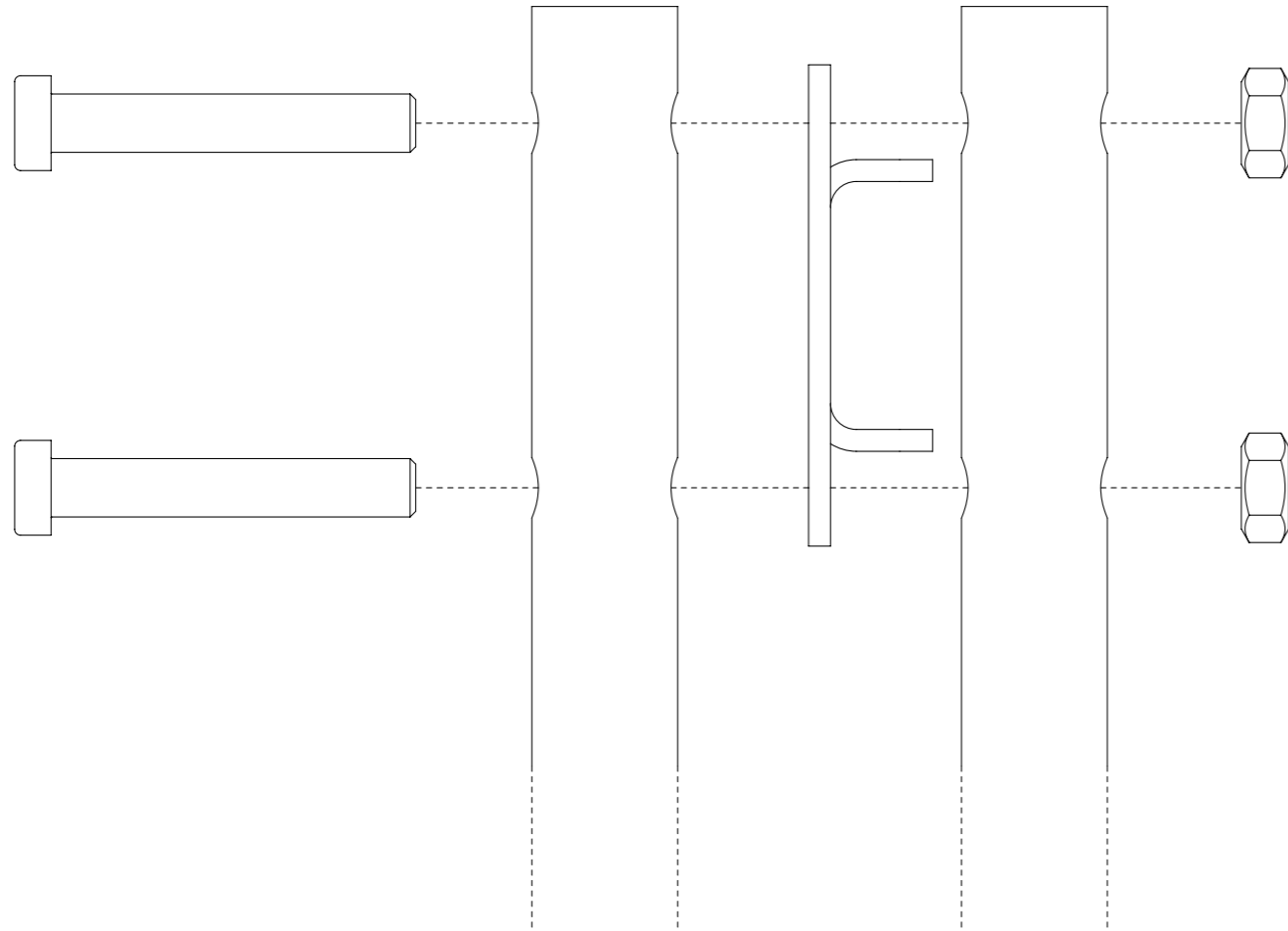
Mount the brackets horizontally onto both sides as shown.
Tighten all connections.

Parts

- 8x M8x50mm bolts
- 8x M8 Nuts



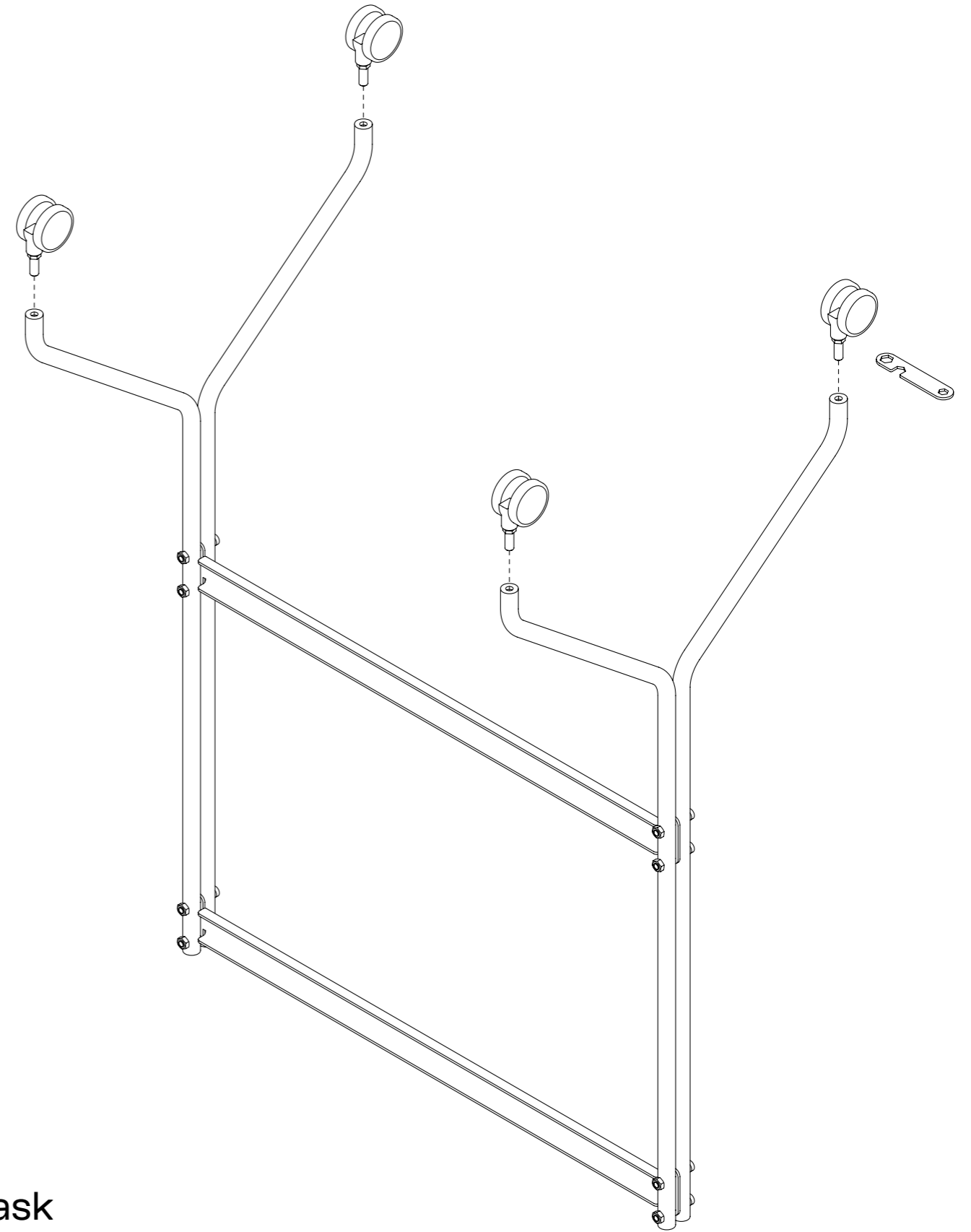
1.1 Mount brackets detail



Task

Detailed view of step 1.0.

2.0 Wheels



Task

Mount the four wheels into the bottom of the feet as shown.
One wheel on each foot.
Tighten all connections.

Parts

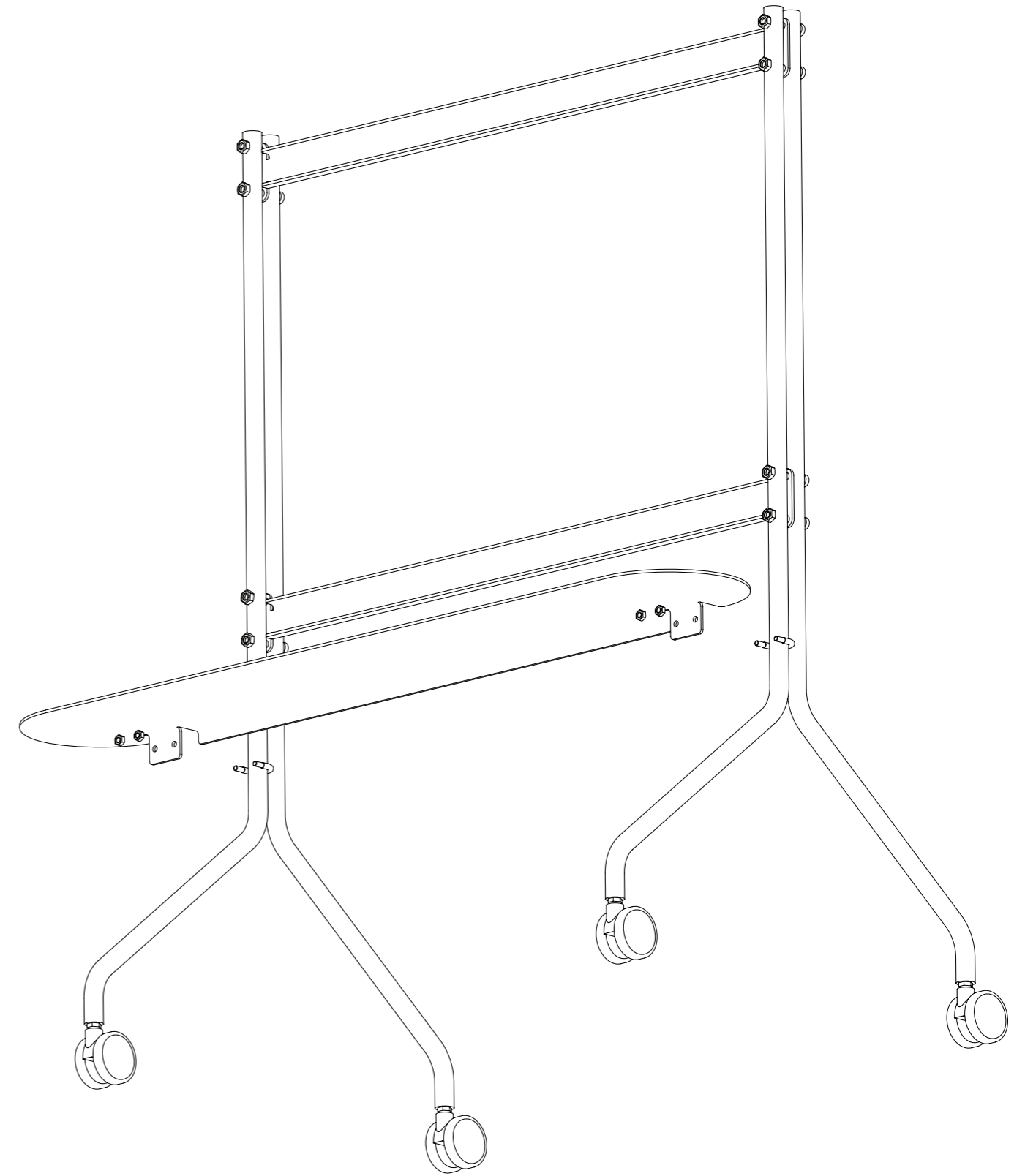
4 × Wheels

Moon Shelf

Wait a
second!

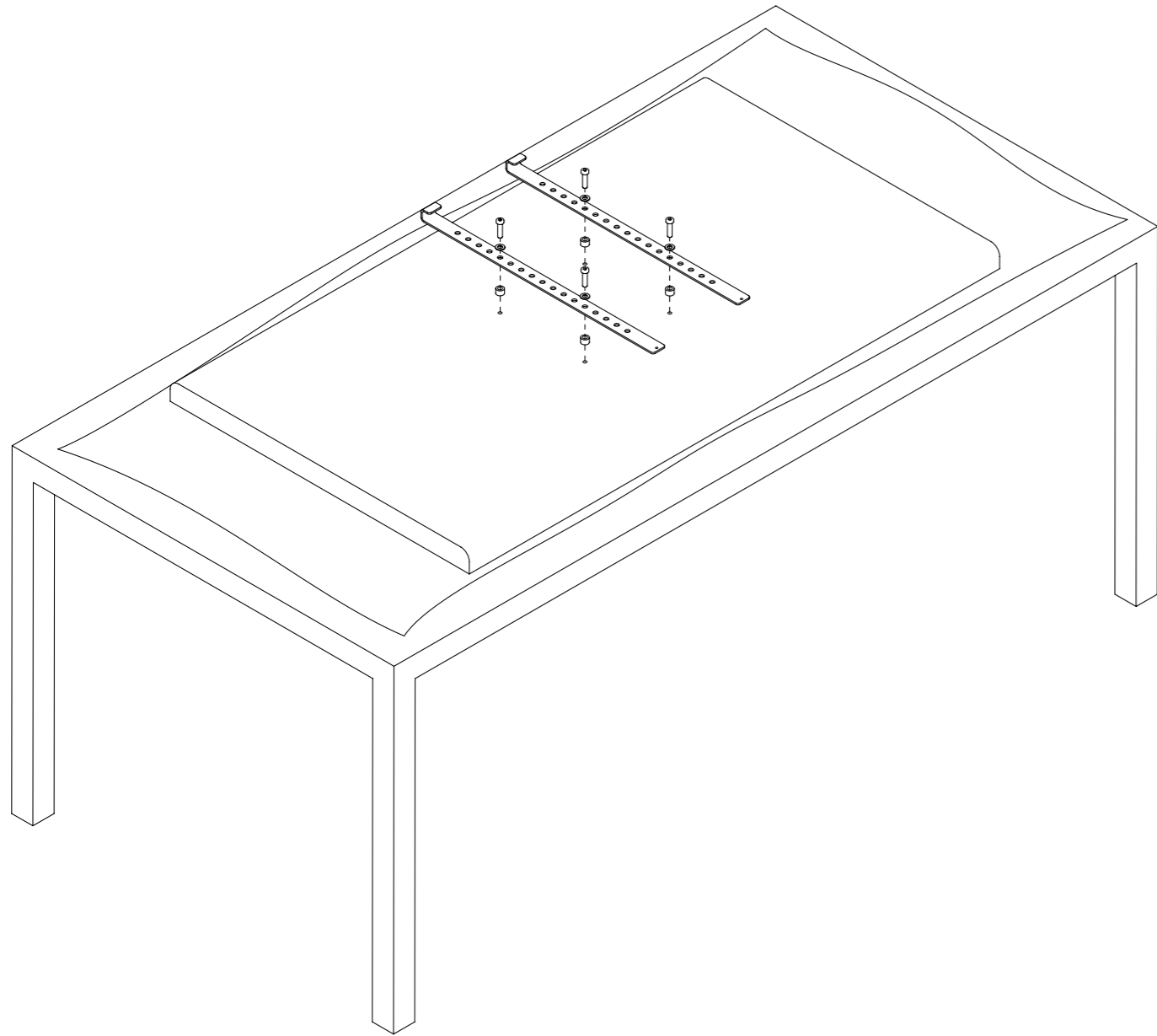
Do you have a shelf you
want on your Moon?

Yes? Now is the time!
No? Skip to the next page.



Scan the QR-code to find the Manual for Moon Shelf

3.0 Mount TV brackets



Task

Place your screen facing backside up on a tabletop with a soft cloth or blanket between the two in order to protect both. Mount the TV brackets vertically using the fitting holes.

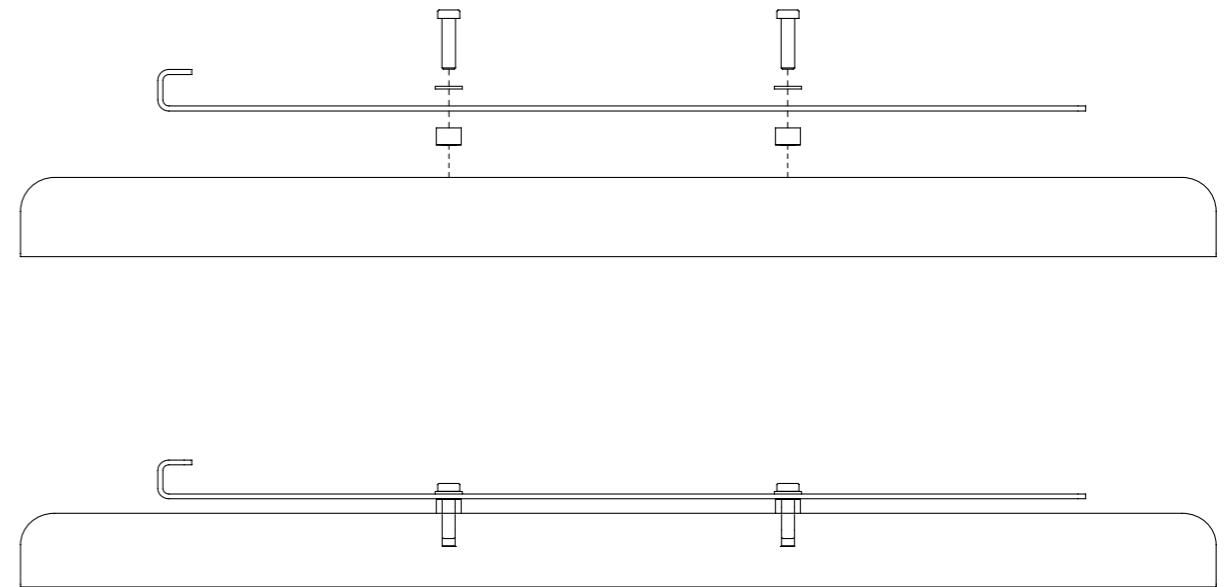
For correct fit, see step 3.1

Parts

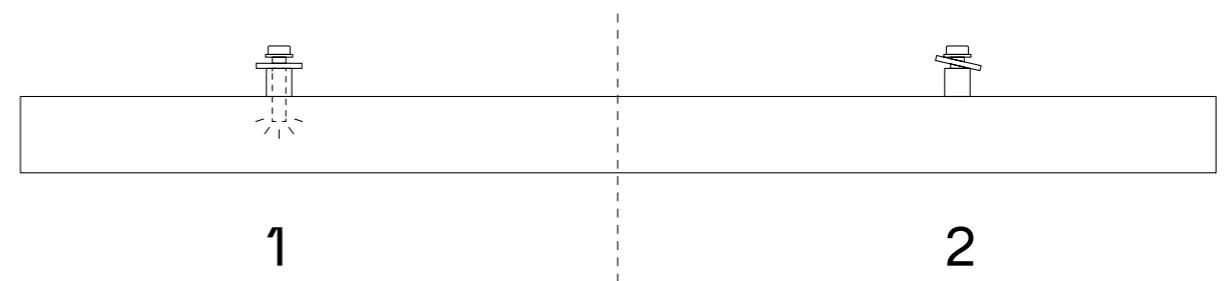
4 x suitably sized bolts
4 x M6/M8 washers
At least 4 x suitably sized spacers

3.1 TV brackets fitting

Correct fit



Incorrect fit



Do not panic!

You will not need all of the remaining hardware. The large selection of remaining hardware is to accommodate as many different screens as possible.

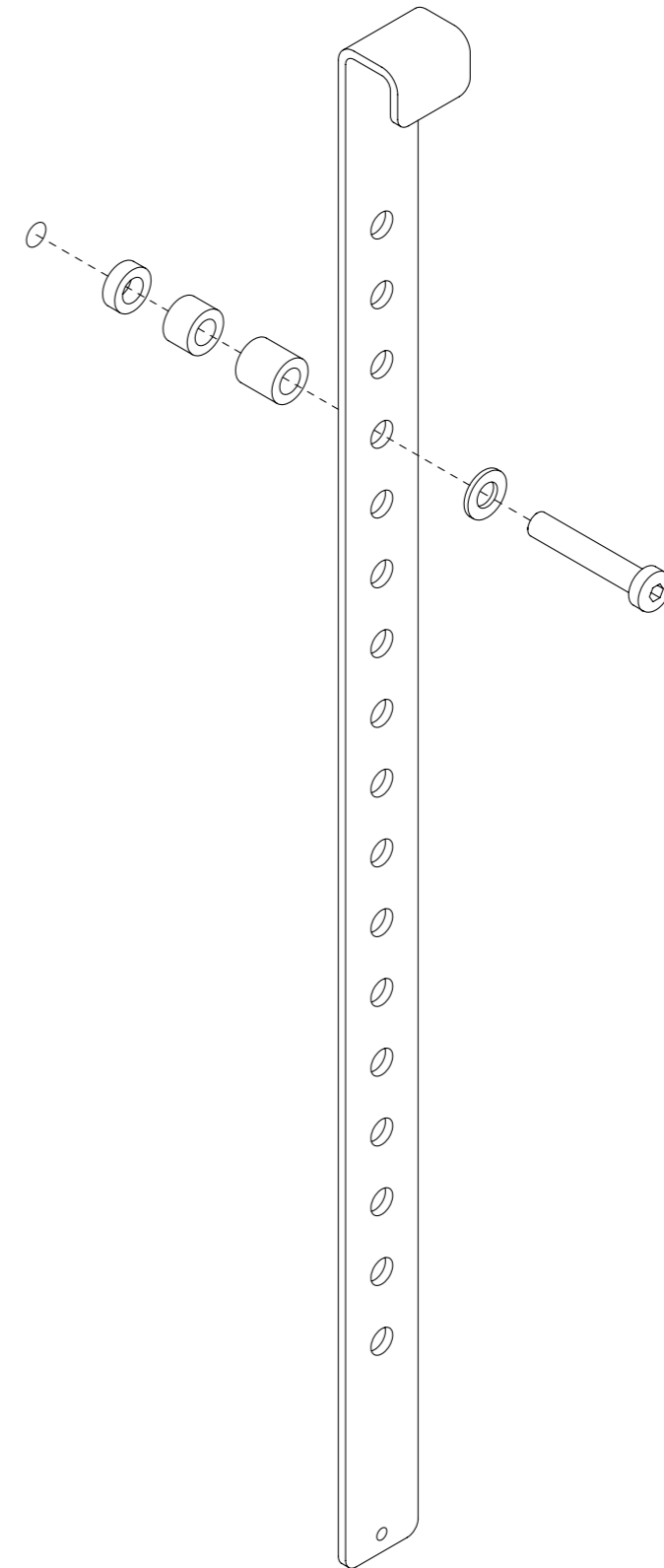
For a correct fit you will have to identify the right combination of provided spacers, washers and bolts.

Place the spacers between the screen and the brackets to ensure that the brackets do not touch the screen.

If for instance your screen has a curved backside, you might have to use more than one layer of spacers.

Now screw the appropriately dimensioned bolts with washers through the brackets and spacers into the threaded holes on the backside of the screen. Tighten the bolts until you have a snug fit. Be sure not to overtighten. The bolts must not reach the bottom of the threaded holes. Overtightening might cause damage to your screen.

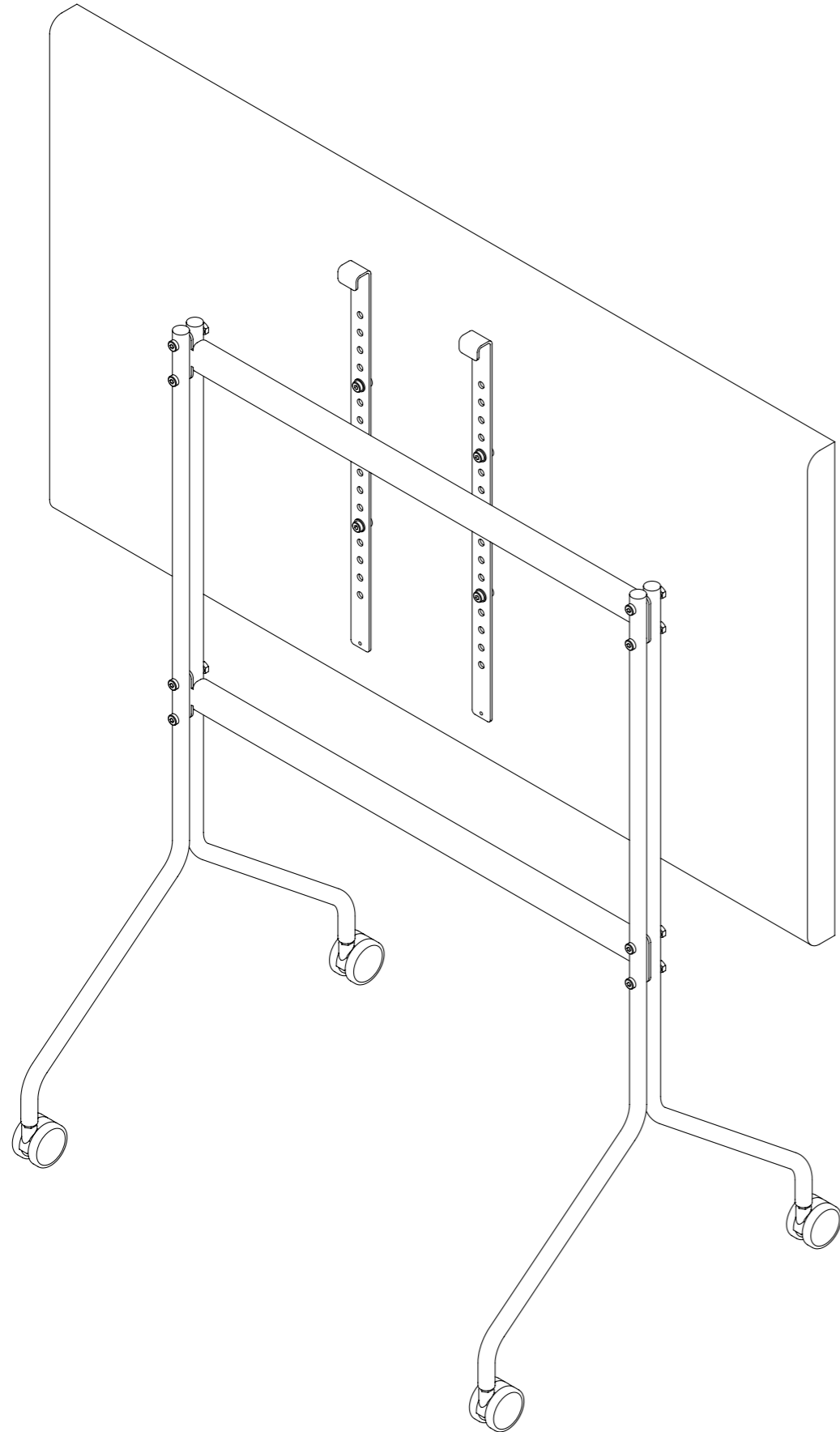
Struggling to find
the ideal spacer?



No problem!

Just stack 'em up, mix and match for the perfect fit!

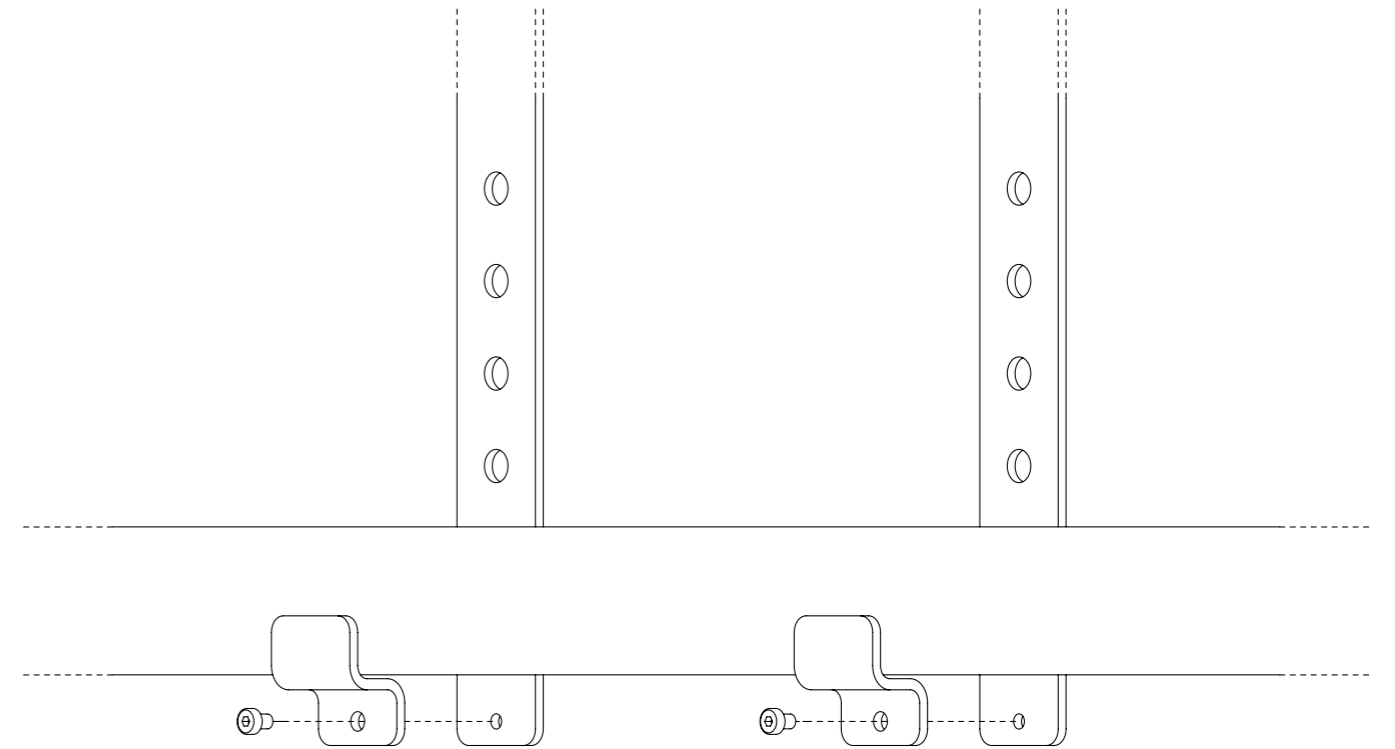
4.0 Mount TV



Task

Hang TV on stand

5.0 Mount safety hooks



Task

Secure the TV to the stand with the safety hooks as shown.
Tighten all connections.

Parts

2 x M5x8mm Bolts





pedestal®

